

AVRii SOL

CARPORT Avrii SOL Integra Zcon



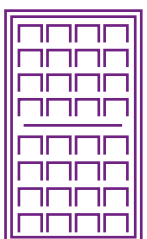
Zcon-ve1-00
structure



Zcon-ve1-00-ext
extension



1100-1140 mm



1900-2000 mm

10/15
YEARS
WARRANTY



Module mounting system
minimizing the risk
of deformations



Durable, certified structure
with a galvanized coating



Wind and snow
resistance tests



Dedicated sealing
accessories included
in the set



All mounting components
are made of stainless steel

Flexible extension with
additional parking spaces



Adjustable parking
space width



Carport leg/support designed
for internal wiring



Full availability of structural
elements and spare accessories
directly from the manufacturer



Unique, registered design
- Registered Community
Design - EUIPO



More than
energy



EUROPEAN
PRODUCER

Technical specification

The dimensions below refer to the standard carport design - it is possible to adjust the width of the parking space according to individual requirements.

Zcon-ve1-00	Zcon-ve1-00-ext
Standard structure for two parking spaces.	Extension of the structure - adding two parking spaces to the standard structure, with the possibility of multiplying them to increase the number of spaces.

Carport structure parameters	
Width [mm]	5750
Depth [mm]	5470
Maximum height [mm]	2800
Minimum height [mm]	2030
Parking space width [mm]	5350 up to 5500 ⁽¹⁾
Weight [kg]	805 615
Material	steel S355, hot-dip galvanized, powder coated
Standard colour ⁽²⁾	anthracite RAL 7016, structural mat
Angle of modules	8°

⁽¹⁾ Dependent on the number of parking spaces in a row
⁽²⁾ The carport structure can be ordered in a custom color

Structural elements included in the set		pcs	
Load bearing structural pillar	2		1
Pillar cap	2		1
Allen screw A2 M6x12	8		4
Cap nut A2 M20	16		8
Oval washer A2 21 (M20)	16		8
Profile A5 160x80x5x5500 mm	2		0
Profile A8 160x80x8x5500 mm	0		1
Profile B3 100x40x3x5750 mm	9		9
End Cap for profile A5 160x80 mm	4		0
End Cap for profile A8 180x80 mm	0		2
End Cap for profile B3 100x40 mm	18		9
Threaded rod A2 M10x110	6		3
Cap nut A2 M10	12		6
Round washer A2 10,5 (M10)	12		6
Grip KAB_inox_3 mm	18		9
Allen screw M8x25	36		18
Clamp KPV_inox_1,5 mm	90		90
Push screw M6x16 A2	90		90
Seal 20-30 ⁽³⁾ x15x2000 mm	18		21
Connector for B3-profiles	0		9

⁽³⁾ Depending on the selected model of PV modules

Compatibility with framed PV modules

Dimensions of modules - length x width [mm] 1900-2000 x 1100-1140

Additional accessories (available in Avrii Sp. z o.o.)

Steel brand for Carport Avrii SOL Integra - to be embedded in the foundation

Components for PV Set - photovoltaic modules, inverter, protections, cabling

Standards

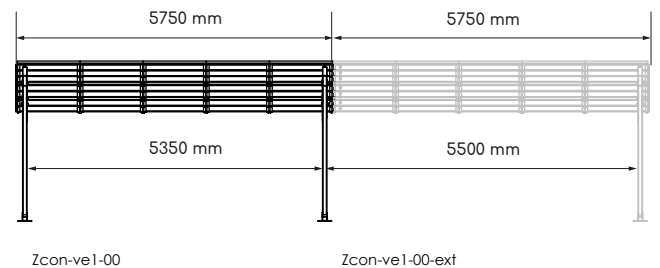
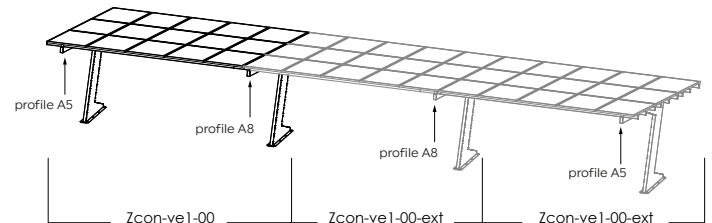
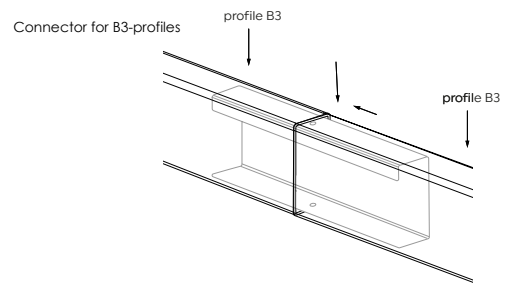
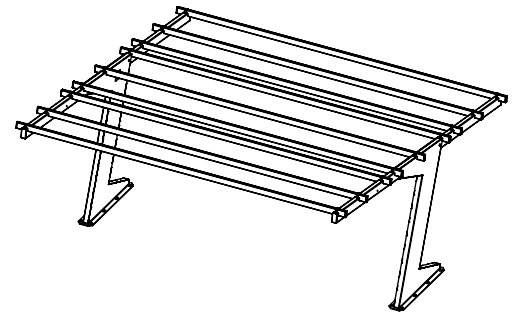
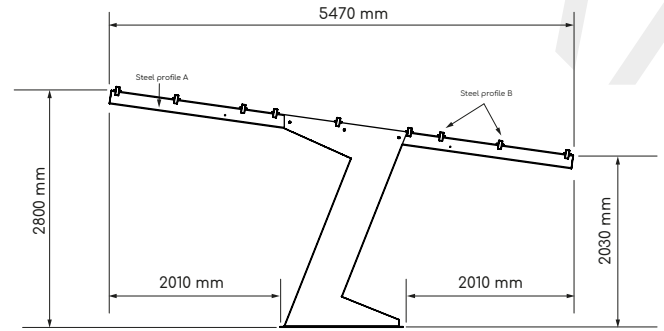
CE, FPC Certification	EN 1090-1
Welding Process Quality Certificate	EN ISO 3834:2021

Allowed snow and wind load:

EN 1991-1-3 Eurokod 1	1,6 kN/m ²
EN 1991-1-4 Eurokod 1	26 m/s

Warranty

Standard	10 years
Extended - with Avrii SOL Modules	15 years



Actual dimensions may differ from those specified on the sheet ± 10mm.

The technical sheet contains information valid as of the date specified in the document revision. Due to ongoing research and the introduction of new products, Avrii reserves the right to make any changes to these parameters without prior notice.

Datasheet_EN_AvriiSOL_Integra_Carport_Zcon-ve1-00_Rev.1.1_13_01_2025



EN 1090-1
ISO 3834:2021

www.tuv.com
ID 9000029805

