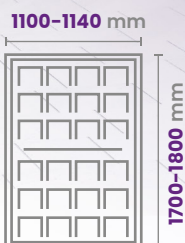


AVRii SOL

CARPORT Avrii SOL Integra Zcon

Zcon-ve1-01
structure

Zcon-ve1-01-ext
extension



10/15
YEARS
WARRANTY



Module mounting system
minimizing the risk
of deformations



Durable, certified structure
with a galvanized coating



Wind and snow
resistance tests



Dedicated sealing
accessories included
in the set



All mounting components
are made of stainless steel

Flexible extension with
additional parking spaces



Adjustable parking
space width



Carport leg/support designed
for internal wiring



Full availability of structural
elements and spare accessories
directly from the manufacturer



Unique, registered design
- Registered Community
Design - EUIPO



More than
energy



EUROPEAN
PRODUCER

Technical specification

The dimensions below refer to the standard carport design – it is possible to adjust the width of the parking space according to individual requirements.

	Zcon-ve1-01	Zcon-ve1-01-ext
	Standard structure for two parking spaces.	Extension of the structure – adding two parking spaces to the standard structure, with the possibility of multiplying them to increase the number of spaces.
Carport structure parameters		
Width [mm]	5750	
Depth [mm]	4870	
Maximum height [mm]	2750	
Minimum height [mm]	2070	
Parking space width [mm]	5350	up to 5500 ⁽¹⁾
Weight [kg]	805	560
Material	steel S355, hot-dip galvanized, powder coated	
Standard colour ⁽²⁾	anthracite RAL 7016, structural mat	
Angle of modules	8°	

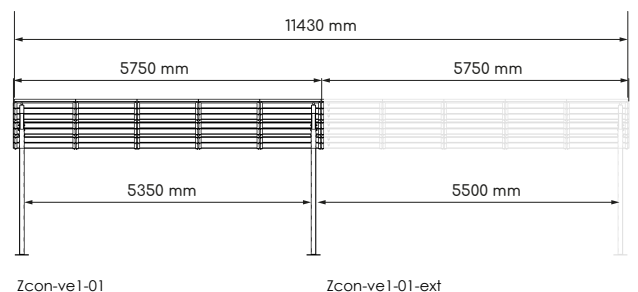
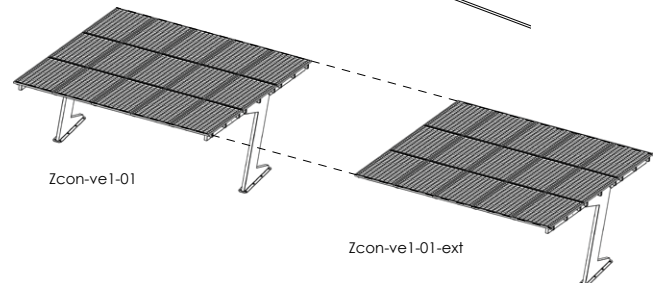
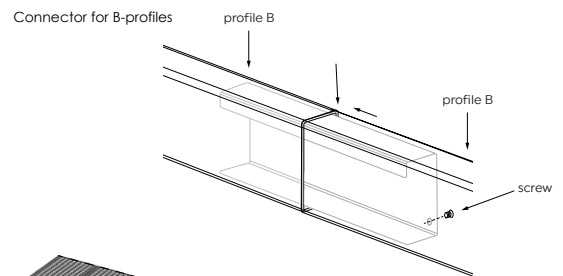
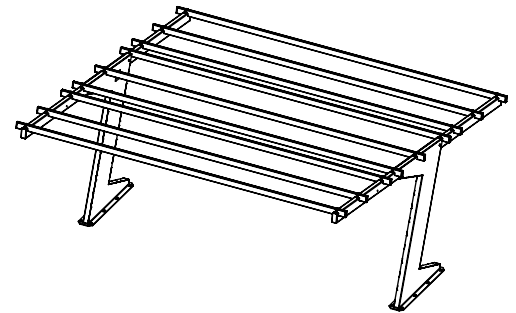
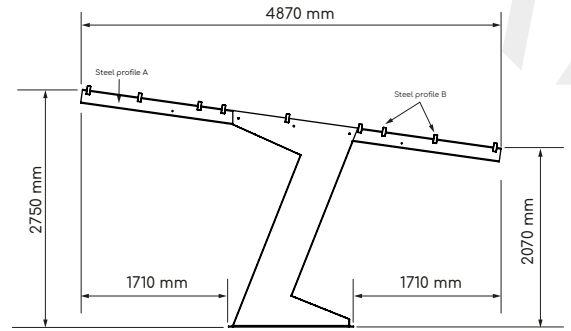
⁽¹⁾ Dependent on the number of parking spaces in a row

⁽²⁾ The carport structure can be ordered in a custom color

The carport structure can be ordered in a custom color		
	pcs	
Load bearing structural pillar	2	1
Pillar cap	2	1
Allen screw A2 M6x12	8	4
Cap nut A2 M20	16	8
Oval washer A2 21 (M20)	16	8
Profile A 160x80x5x4900 mm	2	1
Profile B 100x40x3x5750 mm	9	9
End Cap for profile A 160x80 mm	4	2
End Cap for profile B 100x40 mm	18	9
Threaded rod A2 M10x110	6	3
Cap nut A2 M10	12	6
Round washer A2 10,5 (M10)	12	6
Grip KAB_inox_3 mm	18	9
Allen screw M8x25	36	18
Clamp KPV_inox_1,5 mm	90	90
Push screw M6x16 A2	90	90
Gasket 20-30 ⁽³⁾ x15x2000 mm	18	21
Connector for B-profiles	0	9

⁽³⁾ Depending on the selected model of PV modules

Compatibility with framed PV modules	
Dimensions of modules - length x width [mm]	1700-1800 x 1100-1140
Additional accessories (available in Avrii Sp. z o.o.)	
Steel brand for Carport Avrii SOL Integra – to be embedded in the foundation	
Components for PV Set – photovoltaic modules, inverter, protections, cabling	
Standards	
CE, Welding Certification	EN 1090-1
Welding Process Quality Certificate	EN ISO 3834:2021
Snow loads on structures	EN 1991-1-3 Eurokod 1
Wind loads on structures	EN 1991-1-4 Eurokod 1
Warranty	
Standard	10 years
Extended - with Avrii SOL Modules	15 years



Actual dimensions may differ from those specified on the sheet ± 10mm.

The technical sheet contains information valid as of the date specified in the document revision. Due to ongoing research and the introduction of new products, Avrii reserves the right to make any changes to these parameters without prior notice.

Datasheet_EN_AvriiSOL_Integra_Carport_Zcon-ve1-01_Rev.1.0_30_09_2024

