

# AVRII SOL

## Avrii SOL Integra Photovoltaic bench



Charging functionality  
for wireless devices  
in private and public spaces



Comfort  
and functionality

Modern design



Timeless design  
featuring steel granite



More than  
*energy*



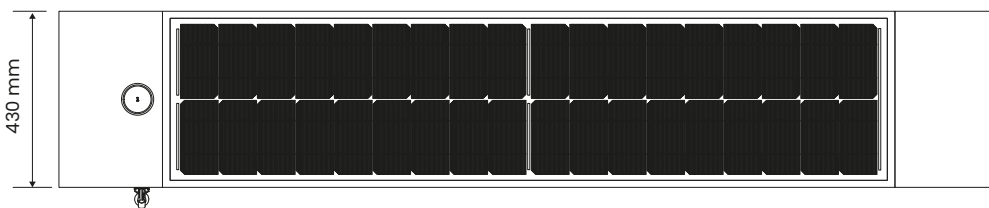
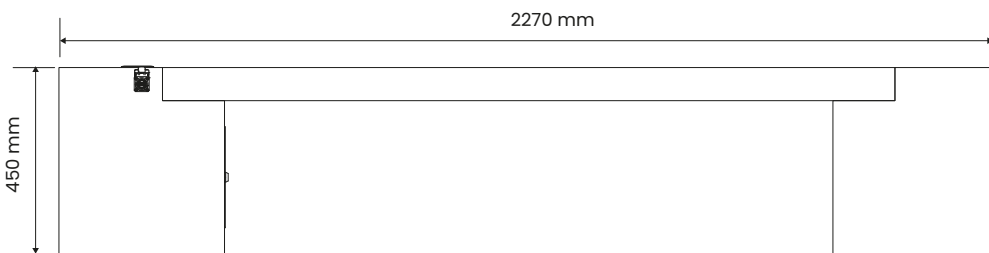
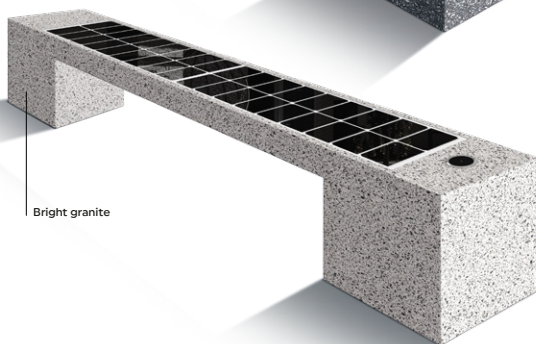
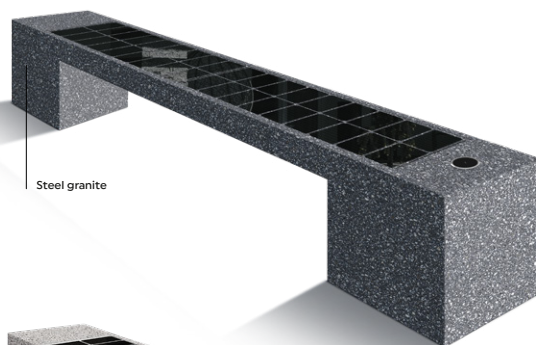
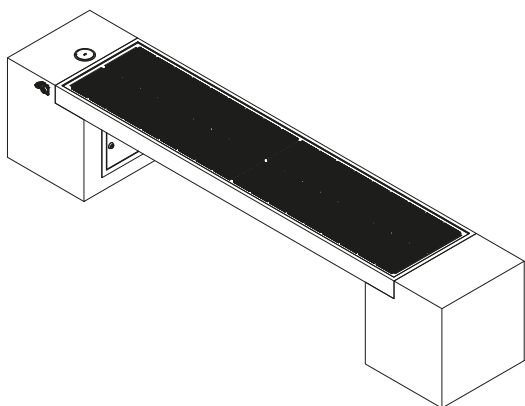
EUROPEAN  
PRODUCER

# Avrii SOL Integra – Photovoltaic bench

## Technical specifications

BASIC PARAMETERS	
Dimensions [width, length, height] [cm]	2270x430x450
Material	concrete, photovoltaic module
Color	steel granite / bright granite
Generator power	120 W
Functionality	Qi wireless charger, USB socket

TECHNICAL PARAMETERS	
Qi wireless charger	5 W
USB socket	1 A
Battery capacity	10 Ah
Charge rate	1000 mAh/h



Avrii SOL INTEGRA photovoltaic bench – technical drawing

The technical sheet contains information valid as of the date specified in the document revision. Due to ongoing research and the introduction of new products, Avrii reserves the right to make any changes to these parameters without prior notice.