


AVRii SOL

CARPORT Avrii SOL Integra STRUCTURE




10
YEARS
OF GUARANTEE

 Durable structure
with galvanized coating

 Highly leakproof roofing
of the structure

 Wind and snow
resistance tests

 Possibility of internal
routing of conduits

Flexible selection of modules
and the width of the parking area



Possibility of extension
with additional parking spaces



Technical documentation
prepared for a given project



More than
energy

 EUROPEAN
PRODUCER

CARPORT Avrii SOL Integra - STRUCTURE

Technical specification

Carport structure parameters	
Width [mm]	up to 6000
Depth [mm]	5350
Maximum height [mm]	2829
Minimum height [mm]	2094
Parking space width [mm]	up to 5500
Weight [kg]	720
Material	steel S355, hot-dip galvanized, powder coated
Colour	anthracite RAL 7016 matt
Angle of modules	8°

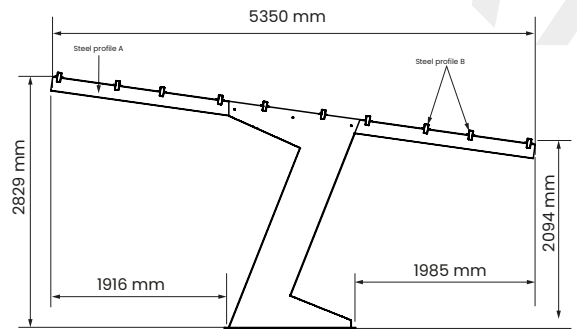
Structural elements included in the set	[pcs]
Load bearing structural pillar	2
Pillar cap (steel)	2
Allen screw A2 M6x12	8
Cap nut A2 M20	16
Oval washer A2 21 (M20)	16
Profile A 160x80x5x5350 mm	2
Profile B 100x40x2/100x40x3 mm* up to 6000 mm	10
Cap 100x40 mm	20
Cap 160x80 mm	4
Threaded rod A2 M10x110	6
Cap nut A2 M10	12
Round washer A2 10,5 (M10)	12
Clamp KAB_inox_3mm	20
Allen screw M8x25	40
Clamp KPV_inox_1,5mm	60
Push screw M6x16 A2	60
Gasket 20x15x2000 mm	18

*Depending on the location.

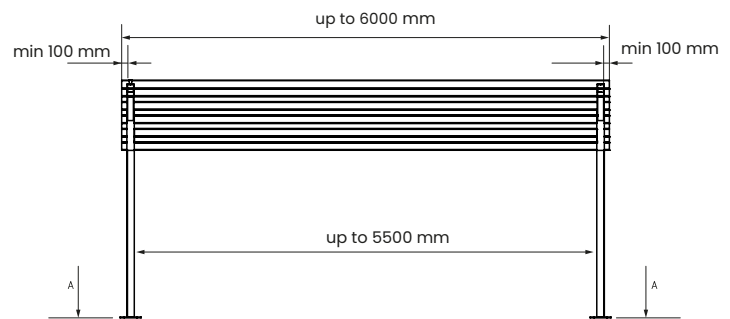
Standards
EN 1991-1-3 Eurocode 1
EN 1991-1-4 Eurocode 1
EN 1090-1:2009+A1:2011
EN ISO 3834

Additional accessories (available in Avrii Sp. z o.o.)
Fastening plate for Carport Avrii SOL Integra - to be embedded in the foundation
CarportBox Avrii SOL Integra - inverter and protection enclosure
Components for PV Set - photovoltaic modules, inverter, protections, cabling

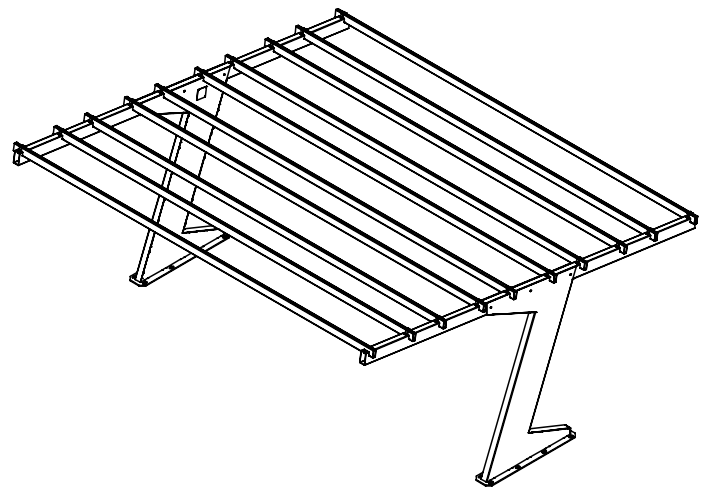
Possibility of extension with additional parking spaces using the Carport Avrii SOL Integra Extension product.



Side projection



Front projection



Possibility to prepare an individual carport design/technical drawing adapted to the selected type of PV modules.

Actual dimensions may differ from those specified on the sheet ± 10 mm

The technical sheet contains information valid as of the date specified in the document revision. Due to ongoing research and the introduction of new products, Avrii reserves the right to make any changes to these parameters without prior notice.

avrii.eu

Avrii Sp. z o.o., ul. Mroźna 8, 33-102 Tarnów, Poland

info@avrii.eu

14 696 88 89/6 | +48 532 773 779



Datasheet_EN_AvriiSOL_Integra_STRUCTURE_Rev1.3_21.11.2023